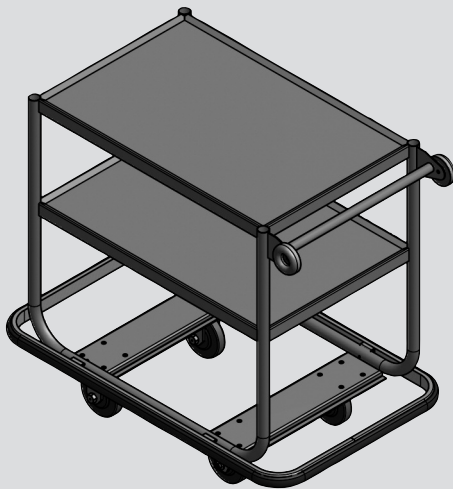


Utility Carts



TR-32-2-AF Shown

Models

TR-32-2-AF

TR-32-3-AF

TR-36-2-AF

TR-36-3-AF

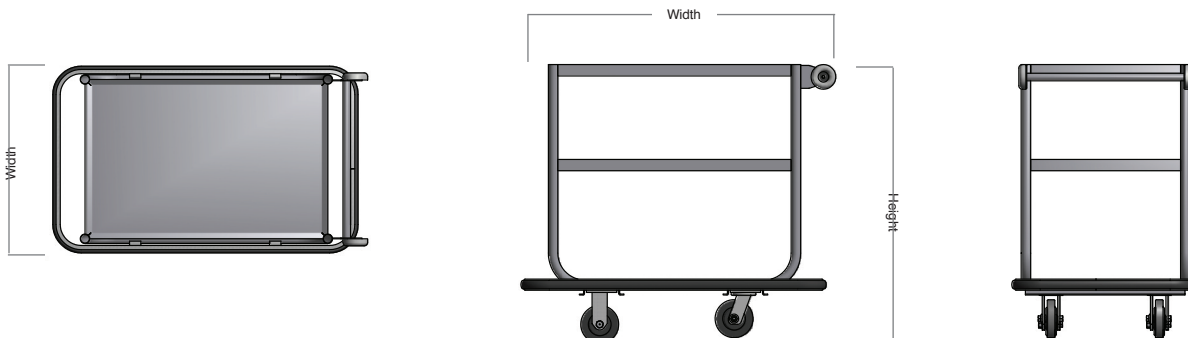
PRODUCT INFORMATION

TR-3, TR-4 & TR-5 Series Carts

- Continuous U-shape tubular, stainless steel construction
- Shelves have raised edges to prevent boxes or trays from sliding off
- Donut handle bumpers and continuous perimeter bumper are standard
- Available in 2, 3 or 4 shelf units
- Multiple shelf sizes for different uses
- Perimeter bumpers are standard

Utility Carts

TR-32-2-AF, TR-32-3-AF, TR-36-2-AF, TR-36-3-AF



TECHNICAL SPECIFICATIONS

Model	Dimensions			Shelf Size	Shelf Clearance	Shipping Weight
	W	D	H			
TR-32-2-AF	41 $\frac{1}{4}$ "	25 $\frac{1}{4}$ "	36"	32" x 21"	12 $\frac{1}{2}$ "	100 lbs.
TR-32-3-AF	41 $\frac{1}{4}$ "	25 $\frac{1}{4}$ "	36"	32" x 21"	10"	108 lbs.
TR-36-2-AF	44 $\frac{1}{4}$ "	29"	36"	36" x 26"	12 $\frac{1}{2}$ "	105 lbs.
TR-36-3-AF	44 $\frac{1}{4}$ "	29"	36"	36" x 26"	10"	114 lbs.

BID SPECIFICATIONS

Provide (1) model _____ Utility Cart.

Model TR-32-2-AF Tubular Utility Cart. Frame shall be 1 $\frac{1}{4}$ " O.D. stainless steel tubing, 16-gauge wall. Two shelves 18-gauge stainless; all edges turned down 1 $\frac{1}{2}$ ". Uprights capped with stainless buttons. Mounted on four 5" casters, two fixed and two swivel.

Model TR-32-3-AF Tubular Utility Cart. Identical specifications to TR-32-2-AF except with three shelves.

Model TR-36-2-AF Tubular Utility Cart. Identical specifications to TR-32-2-AF except larger size.

Model TR-36-3-AF Tubular Utility Cart. Identical specifications to TR-36-2-AF except with three shelves.



Savannah, TN 38372 www.americanfoodserviceco.com
731-925-2200 / 800-447-4693 / FAX 731-925-2840

Due to continued product improvement, specifications are subject to change without notice.

9/01/11 USA