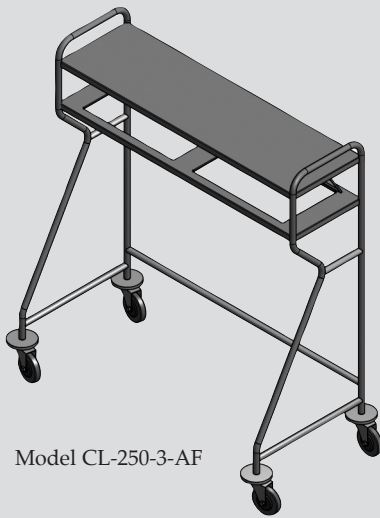


Starter Station

Models

CL-250-3-AF



Model CL-250-3-AF

The starter is a valuable addition to any centralized tray feeding system, room service or dining room service.

PRODUCT INFORMATION

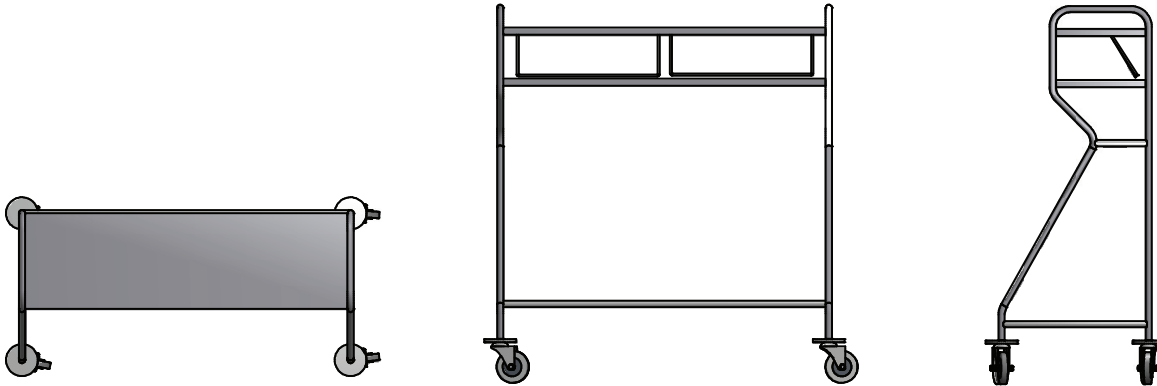
■ CL-250-3-AF TWO-SHELF SUPERSTRUCTURE:

This tubular unit featuring a handy condiment supply shelf acts as the basic housing component for the other pieces. It is easily moved about on four swivel casters; yet when the carts are rolled in or out, locking brakes keep it in fixed position.

The frame of this unit is 1" stainless steel tubing .061" thick. Shelves which are securely welded to the frame are 18-gauge no. 3 stainless. Slanting lower shelf is designed to hold 1/8, 1/2 and 3/8 size pans 4" deep. Pans are not included as standard equipment. Four 5" casters with ball bearing swivels and each wheel with locking brake included.

Starter Station

CL-250-3-AF



TECHNICAL SPECIFICATIONS

Model	Overall Length	Overall Width	Overall Height	Top Deck Height	Estimated Shipping Weight
CL-250-3-AF	55 $\frac{3}{4}$ "	28"	59"	—	110 lbs.

BID SPECIFICATIONS

Provide (1) model CL-250-3-AF Starter Station. Frame constructed of 1" SS tubing. Shelves to be welded to frame. Shelves to be 18 gauge stainless steel with bottom shelf to be in slanted position and to hold 1/3, 1/2 and 2/3 size pans 4" deep.



Savannah, TN 38372 www.americanfoodserviceco.com
731-925-2200 / 800-447-4693 / FAX 731-925-2840

Due to continued product improvement, specifications are subject to change without notice.

9/01/11 USA