



# AMERI-SERVE™



## AMERI-N-DUCTION Mobile Induction Counter

### Model

MIC-36-AF- Single  
MIC-48-AR- Double  
MIC-55-AF- Triple

### OPTIONAL FEATURES

- Plastic Laminate Body Panels
- 6" high Stainless Steel Adjustable Legs
- Stainless Steel Work Surface
- NSF Approved Plastic Cutting Board Work Surface
- Hardwood Work Surface
- Stainless Steel Serving Shelf
- Induction Cookers
- Warming Unit

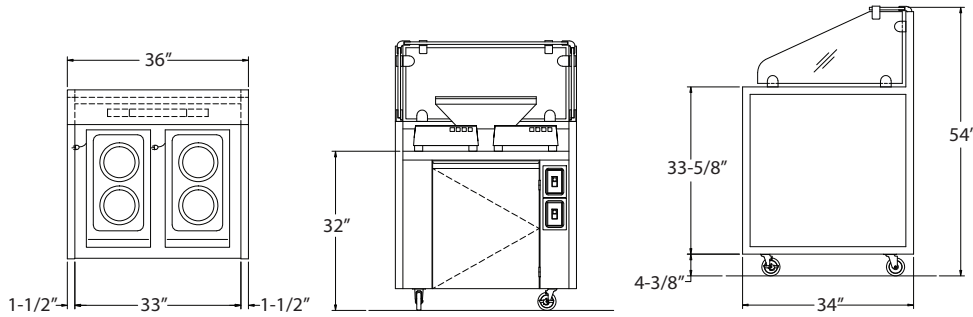
### PRODUCT INFORMATION

- **Design & Construction:** Heavy gauge Stainless Steel construction. Unit provided with double pan hinged doors, internal convenience outlets, 1/2" thick tempered end glass shields and integrated ventilation system. These units include 3" diameter adjustable casters.
- **Design Features:** Ameri-N-Duction counter provided with integrated ventilation systems that removes cooking odors and steam from the cooking surface. The unit shall be mounted on (4) casters, (2) with brakes.
- Mobile and easy to move.

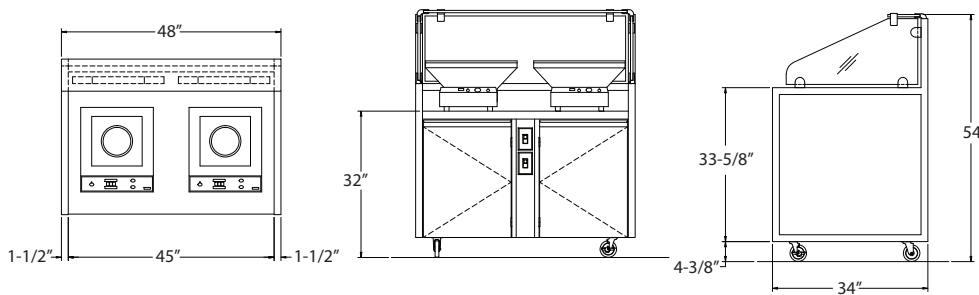


# Mobile Induction Counter

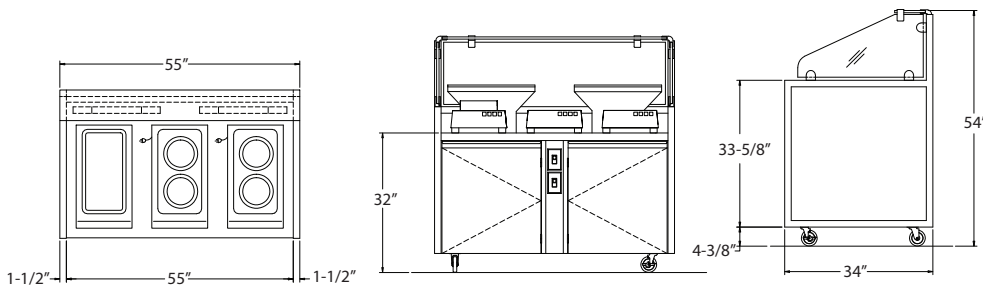
## MIC-36-AF, MIC-48-AR, MIC-55-AF



### MIC-36-AF



### MIC-48-AR



### MIC-55-AF

Shown with optional induction cookers



Slide out for integrated ventilation system



Integrated ventilation system

## TECHNICAL SPECIFICATIONS

Model Number	Length	Width	Height	Volts	Phase	Amps	NEMA Plug	Shpg. Wt. Lbs.	Capacity (Cookers)
MIC-36-AF	38"	32"	36"	120/208	1	28	14-50P	370	2
MIC-48-AR	48"	32"	36"	120/208	1	28	14-50P	440	2
MIC-55-AF	55"	32"	36"	120/208	1	28	14-50P	460	2 plus 1 warming unit

## BID SPECIFICATIONS

Provide (1) model \_\_\_\_\_ Ameri-N-Duction Mobile Induction Counter.

Unit to be mobile, freestanding induction counter with integrated ventilation system that removes cooking odors and steam from the cooking surface. Heavy duty stainless steel construction. The unit shall accommodate \_\_\_\_\_ induction cookers. The unit shall be counted on (4) four casters, (2) two with brakes.



Savannah, TN 38372 [www.americanfoodserviceco.com](http://www.americanfoodserviceco.com)  
731-925-2200 / 800-447-4693 / FAX 731-925-2840

Due to continued product improvement, specifications are subject to change without notice.

11/1/11 USA