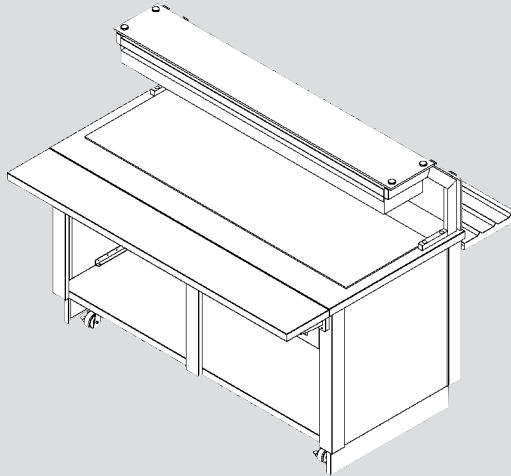


Pizza Counter



(Shown with optional trayslide,
workshelf and breath protector)

Model

PC-38-AF

PC-52-AF

PC-66-AF

PC-80-AF

PC-94-AF

OPTIONAL FEATURES

- Solid Surface Top Deck (Corian...)
- Stone Top Deck (Zodiac, CaesarStone...)
- Stainless Steel Tray Slide
- Solid Surface Tray Slide (Corian...)
- Stone Tray Slide (Zodiac, CaesarStone...)
- Millwork Body Panels
- Stone or Ceramic Tile "Tiled at the Factory" Body Panels
- Plastic Laminate Body Panels
- Solid Surface Material Body Panels
- Back Lighted Body Panels
- Stainless Steel Folding Work Shelf
- Folding Work Shelf with NSF Approved Plastic Cutting Board
- Folding Work Shelf with Hardwood Cutting Board
- Folding Work Shelf with Heat Resistant Richlite
- Breath Protectors: Fixed
- Breath Protectors: Adjustable
- School or Company Logo
- Electrical Raceway and Junction Box
- Bullet Feet
- Correctional Package
- Field Measurement
- Installation

PRODUCT INFORMATION

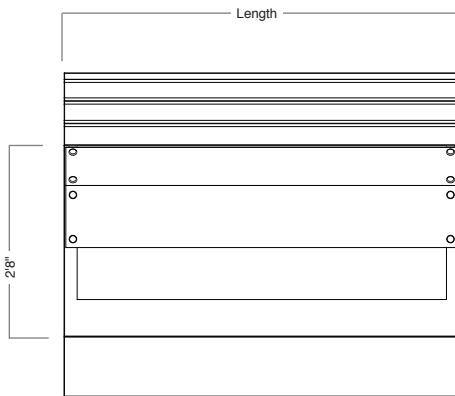
■ **Design & Construction:** 18 ga. stainless steel frame construction with welded vertical corner supports and 16 ga. stainless steel top. Installed in the top is a recessed heated top. These units include a full length stainless steel undershelf, stainless steel removable front & end panels and 3" diameter adjustable casters.

■ **Design Features:** Undershelving is provided with a rear turn-up and is held short to create a utility access area without blocking the storage space.

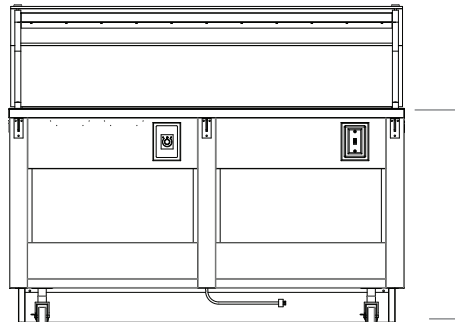


Pizza Counter

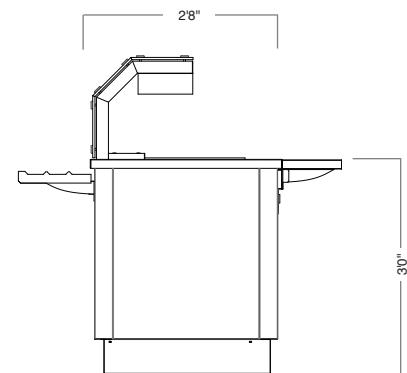
PC-32-AF, PC-52-AF, PC-66-AF, PC-80-AF, PC-94-AF



Plan View



Elevation



Side View

(Shown with optional trayslide, workshelf and breath protector)

TECHNICAL SPECIFICATIONS

Model Number	Length	Width	Height	Voltage	Phase	Amps	Watts	NEMA Plug	Shpg. Wt. Lbs.
PC-38-AF	38"	32"	36"	120	1	6.5	780	5-15P	350
PC-52-AF	52"	32"	36"	120	1	7.8	930	5-15P	450
PC-66-AF	66"	32"	36"	120	1	13.0	1560	5-20P	525
PC-80-AF	80"	32"	36"	120	1	15.6	1860	5-20P	600
PC-94-AF	94"	32"	36"	120	1	15.6	1860	5-20P	675



Savannah, TN 38372 www.americanfoodserviceco.com
731-925-2200 / 800-447-4693 / FAX 731-925-2840

Due to continued product improvement, specifications are subject to change without notice.

9/01/11 USA