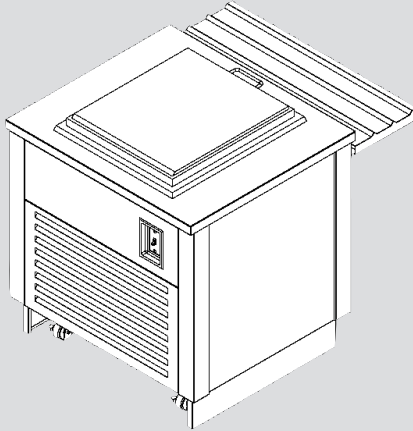


# Ice Cream Merchandiser Counter

## Model

IC-38-AF



(Shown with optional trayslide)

### OPTIONAL FEATURES

- Solid Surface Top Deck (Corian...)
- Stone Top Deck (Zodiac, CaesarStone...)
- Stainless Steel Tray Slide
- Solid Surface Tray Slide (Corian...)
- Stone Tray Slide (Zodiac, CaesarStone...)
- Millwork Body Panels
- Stone or Ceramic Tile "Tiled at the Factory" Body Panels
- Plastic Laminate Body Panels
- Solid Surface Material Body Panels
- Back Lighted Body Panels
- Stainless Steel Folding Work Shelf
- School or Company Logo
- Electrical Raceway and Junction Box
- Bullet Feet
- Correctional Package
- Field Measurement
- Installation

### PRODUCT INFORMATION

■ **Design & Construction:** 18 ga. stainless steel frame construction with welded vertical corner supports and 16 ga. stainless steel top. Installed in the top is a refrigerated ice cream unit. These units include a stainless steel removable louvered panel, stainless steel removable front & end panels and 3" diameter adjustable casters.

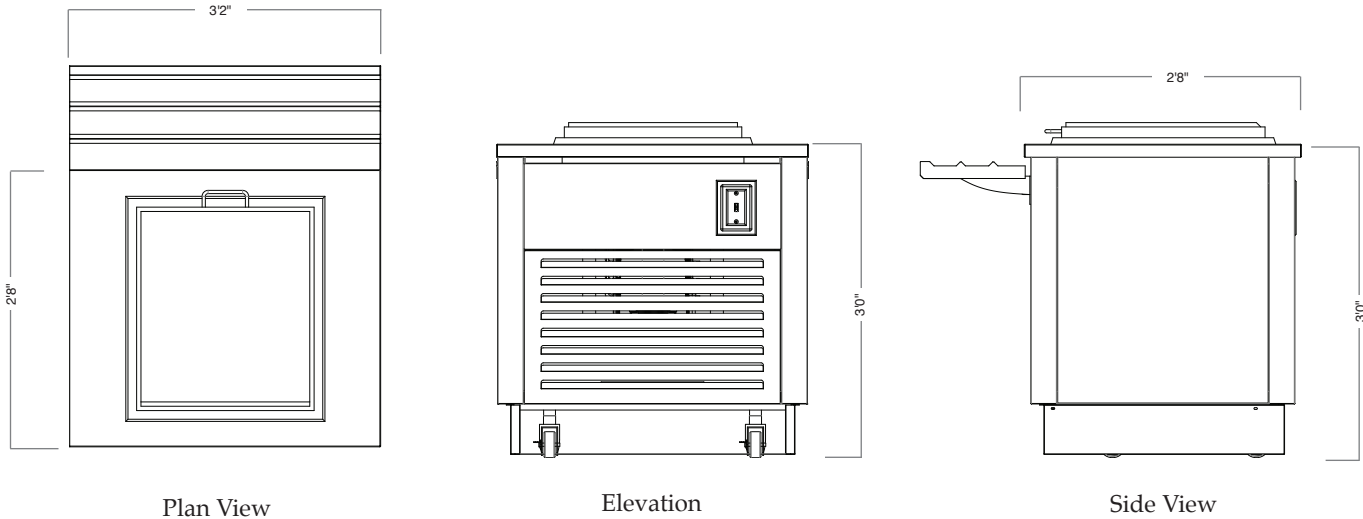
■ **Merchandiser Design Features:**

- **Capacity:** Holds 15 to 20 dozen ice cream novelties.
- **Exterior:** Stainless steel.
- **Interior:** Heavy-duty stainless steel with coved corners throughout for fast, easy cleaning. Stainless refrigerated divider with removable frost shield for quick cleanup.
- **Cover:** Insulated plexiglass lid, easily removed for product loading, cleaning and defrosting.
- **Insulation:** Environmentally friendly foamed-in-place polyurethane insulation for maximum insulation, strength and durability.
- **Refrigeration:** CFC-free, hermetically sealed, high efficiency, self contained system with fan cooled condenser. Cold wall evaporator provides optimum product temperature. Adjustable temperature control. Manual defrost.



# Ice Cream Merchandiser Counter

## IC-38-AF



(Shown with optional trayslide)

## TECHNICAL SPECIFICATIONS

Model Number	Length	Width	Height	Voltage	Phase	Amps	NEMA Plug	Shpg. Wt. Lbs.
IC-38-AF	36"	32"	36"	120	1	2.7	5-15P	350 lbs.

