

(Shown with optional trayslide and breath protector)

Ice Pan Cold Food Counter

Model

CI-38-AF

CI-52-AF

CI-66-AF

CI-80-AF

CI-94-AF

OPTIONAL FEATURES

- Solid Surface Top Deck (Corian...)
- Stone Top Deck (Zodiac, CaesarStone...)
- Stainless Steel Tray Slide
- Solid Surface Tray Slide (Corian...)
- Stone Tray Slide (Zodiac, CaesarStone...)
- Millwork Body Panels
- Stone or Ceramic Tile "Tiled at the Factory" Body Panels
- Plastic Laminate Body Panels
- Solid Surface Material Body Panels
- Back Lighted Body Panels
- Stainless Steel Folding Work Shelf
- Folding Work Shelf with NSF Approved Plastic Cutting Board
- Folding Work Shelf with Hardwood Cutting Board
- Folding Work Shelf with Heat Resistant Richlite
- Breath Protectors: Fixed
- Breath Protectors: Adjustable
- School or Company Logo
- Electrical Raceway and Junction Box
- Bullet Feet
- Correctional Package
- Field Measurement
- Installation

PRODUCT INFORMATION

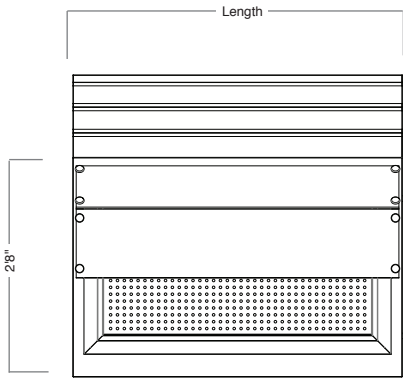
■ **Design & Construction:** 18 ga. stainless steel frame construction with welded vertical corner supports and 16 ga. stainless steel top. Installed in the top is an insulated ice pan. These units include a full length stainless steel undershelf, stainless steel removable front & end panels and 3" diameter adjustable casters.

■ **Design Features:** Pans are 9" deep. Undershelving is provided with a rear turn-up and is held short to create a utility access area without blocking the storage space.

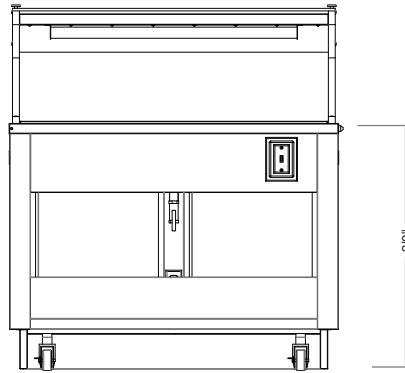


Ice Pan Cold Food Counter

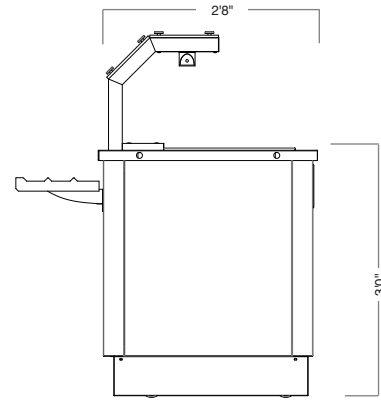
CI-38-AF, CI-52-AF, CI-66-AF, CI-80-AF, CI-94-AF



Plan View



Elevation



Side View

(Shown with optional trayslide and breath protector)

TECHNICAL SPECIFICATIONS

Model Number	Length	Width	Height	Shpg. Wt. Lbs.
CI-38-AF	38"	32"	36"	370
CI-52-AF	52"	32"	36"	460
CI-66-AF	66"	32"	36"	510
CI-80-AF	80"	32"	36"	590
CI-94-AF	94"	32"	36"	660



Savannah, TN 38372 www.americanfoodserviceco.com
731-925-2200 / 800-447-4693 / FAX 731-925-2840

Due to continued product improvement, specifications are subject to change without notice.

9/1/11 USA