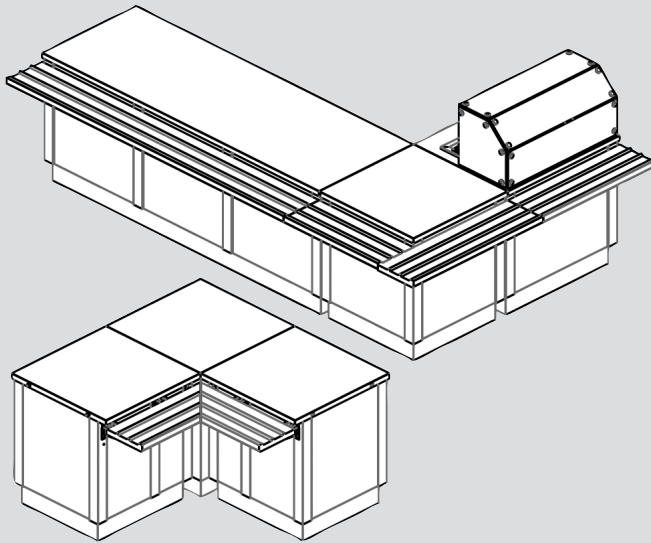


Corner Counter

Model

IS-CC-32-AF
 OS-CC-32-AF



(Shown with optional trayslide & adjoining counters)

OPTIONAL FEATURES

- Solid Surface Top Deck (Corian...)
- Stone Top Deck (Zodiac, CaesarStone...)
- Stainless Steel Tray Slide
- Solid Surface Tray Slide (Corian...)
- Stone Tray Slide (Zodiac, CaesarStone...)
- Millwork Body Panels
- Stone or Ceramic Tile "Tiled at the Factory" Body Panels
- Plastic Laminate Body Panels
- Solid Surface Material Body Panels
- Back Lighted Body Panels
- Stainless Steel Folding Work Shelf
- Folding Work Shelf with NSF Approved Plastic Cutting Board
- Folding Work Shelf with Hardwood Cutting Board
- Folding Work Shelf with Heat Resistant Richlite
- Breath Protectors: Fixed
- Breath Protectors: Adjustable
- School or Company Logo
- Electrical Raceway and Junction Box
- Bullet Feet
- Correctional Package
- Field Measurement
- Installation

PRODUCT INFORMATION

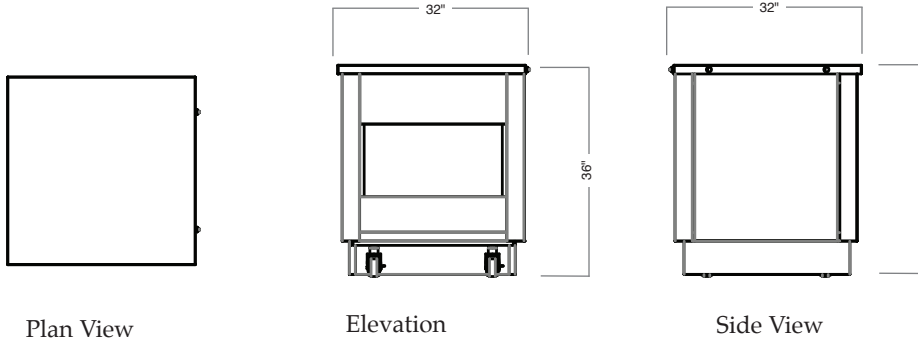
■ **Design & Construction:** 18 ga. stainless steel frame construction with welded vertical corner supports and 16 ga. stainless steel top. Stainless steel removable front & end panels and 3" diameter adjustable casters.



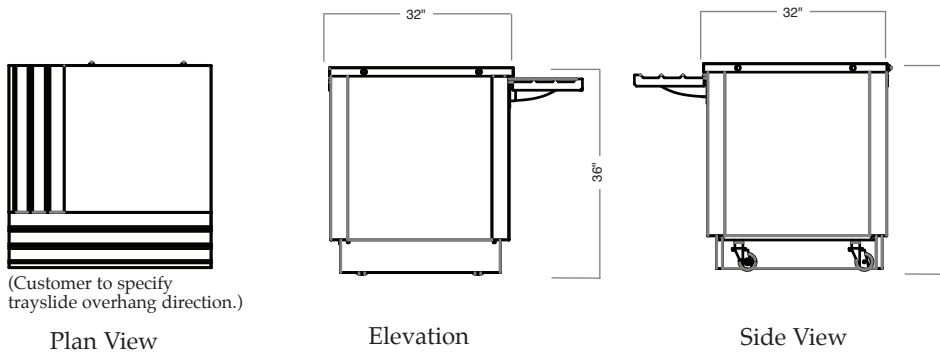
Corner Counter

IS-CC-32-AF, OS-CC-32-AF

INSIDE CORNER



OUTSIDE CORNER



(Shown with optional trayslide & adjoining counters)

TECHNICAL SPECIFICATIONS

Model Number	Length	Width	Height	Shipping Wt. Lbs.
IS-CC-32-AF	32"	32"	36"	250
OS-CC-32-AF	32"	32"	36"	250



Savannah, TN 38372 www.americanfoodserviceco.com
731-925-2200 / 800-447-4693 / FAX 731-925-2840

Due to continued product improvement, specifications are subject to change without notice.

9/01/11 USA