

(Shown with optional tray slide,
workshelf and breath protector.)

Cold Food Counter

Model

CF-38-AF

CF-52-AF

CF-66-AF

CF-80-AF

CF-94-AF

OPTIONAL FEATURES

- Solid Surface Top Deck (Corian...)
- Stone Top Deck (Zodiac, CaesarStone...)
- Stainless Steel Tray Slide
- Solid Surface Tray Slide (Corian...)
- Stone Tray Slide (Zodiac, CaesarStone...)
- Millwork Body Panels
- Stone or Ceramic Tile "Tiled at the Factory" Body Panels
- Plastic Laminate Body Panels
- Solid Surface Material Body Panels
- Back Lighted Body Panels
- Stainless Steel Folding Work Shelf
- Folding Work Shelf with NSF Approved Plastic Cutting Board
- Folding Work Shelf with Hardwood Cutting Board
- Folding Work Shelf with Heat Resistant Richlite
- Breath Protectors: Fixed
- Breath Protectors: Adjustable
- School or Company Logo
- Ball Valve for Cold Units
- Electrical Raceway and Junction Box
- Bullet Feet
- Correctional Package
- Field Measurement
- Installation

PRODUCT INFORMATION

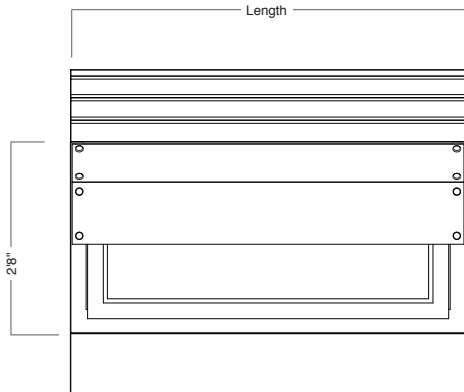
■ **Design & Construction:** 18 ga. stainless steel frame construction with welded vertical corner supports and 16 ga. stainless steel top. Installed in the top is a NSF-7 refrigerated 9" deep cold pan. These units include a full length stainless steel undershelf, stainless steel removable front & end panels and 3" diameter adjustable casters.

■ **Design Features:** Pans are recessed 3" and set on a removable pan rail. Undershelving is provided with a rear turn-up and is held short to create a utility access area without blocking the storage space.

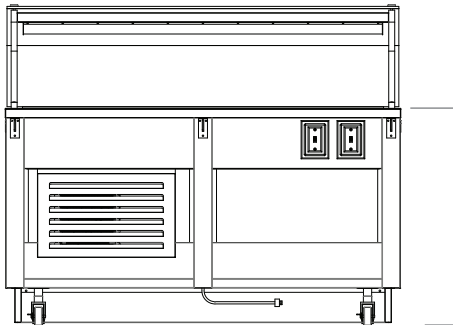


Cold Food Counter

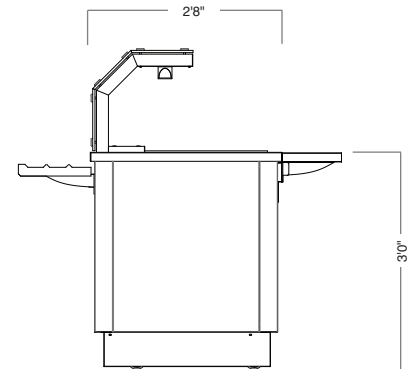
CF-38-AF, CF-52-AF, CF-66-AF, CF-80-AF, CF-94-AF



Plan View



Elevation



Side View

(Shown with optional trayslide, workshelf and breath protector.)

TECHNICAL SPECIFICATIONS

Model Number	Length	Width	Height	Volts	Phase	HP	Amps	NEMA Plug	Shpg. Wt. Lbs.
CF-38-AF	38"	32"	36"	120	1	1/4	6	5-15P	390
CF-52-AF	52"	32"	36"	120	1	1/4	6	5-15P	460
CF-66-AF	66"	32"	36"	120	1	1/4	6	5-15P	530
CF-80-AF	80"	32"	36"	120	1	1/3	8	5-15P	610
CF-94-AF	94"	32"	36"	120	1	1/3	8	5-15P	680



Savannah, TN 38372 www.americanfoodserviceco.com
731-925-2200 / 800-447-4693 / FAX 731-925-2840

Due to continued product improvement, specifications are subject to change without notice.

9/01/11 USA