

(Shown with optional trayslide)

## Beverage Counter

### Model

BC-38-AF

BC-52-AF

BC-66-AF

BC-80-AF

BC-94-AF

### OPTIONAL FEATURES

- Solid Surface Top Deck (Corian...)
- Stone Top Deck (Zodiac, CaesarStone...)
- Stainless Steel Tray Slide
- Solid Surface Tray Slide (Corian...)
- Stone Tray Slide (Zodiac, CaesarStone...)
- Millwork Body Panels
- Stone or Ceramic Tile "Tiled at the Factory" Body Panels
- Plastic Laminate Body Panels
- Solid Surface Material Body Panels
- Back Lighted Body Panels
- Stainless Steel Folding Work Shelf
- Folding Work Shelf with NSF Approved Plastic Cutting Board
- Folding Work Shelf with Hardwood Cutting Board
- Folding Work Shelf with Heat Resistant Richlite
- Breath Protectors: Fixed
- Breath Protectors: Adjustable
- School or Company Logo
- Ball Valve
- Electrical Raceway and Junction Box
- Bullet Feet
- Correctional Package
- Field Measurement
- Installation

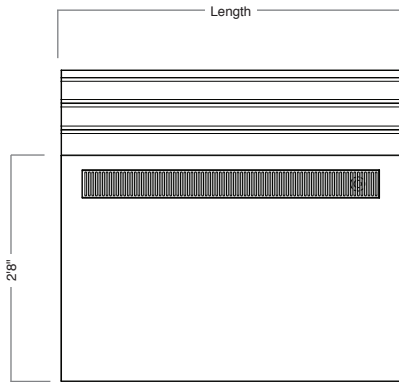
### PRODUCT INFORMATION

■ **Design & Construction:** 18 ga. stainless steel frame construction with welded vertical corner supports and 16 ga. stainless steel top. Installed in the top is a 5" wide stainless steel drip trough with grating. These units include a full length stainless steel undershelf, stainless steel removable front & end panels and 3" diameter adjustable casters.

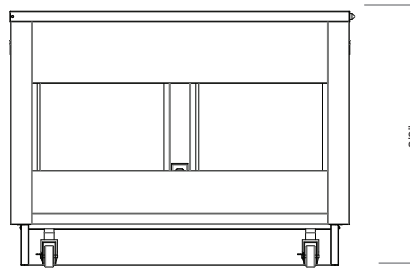
■ **Design Features:** Undershelving is provided with a rear turn-up and is held short to create a utility access area without blocking the storage space.

# Beverage Counter

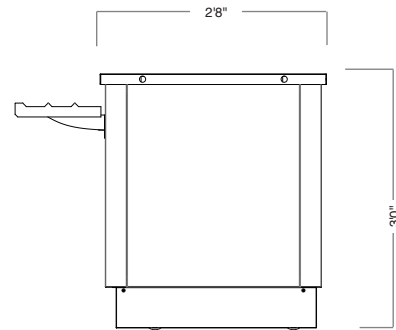
**BC-38-AF, BC-52-AF, BC-66-AF, BC-80-AF, BC-94-AF**



Plan View



Elevation



Side View

(Shown with optional trayslide)

## TECHNICAL SPECIFICATIONS

Model Number	Length	Width	Height	Shpg. Wt. Lbs.
BC-38-AF	38"	32"	36"	275
BC-52-AF	52"	32"	36"	330
BC-66-AF	66"	32"	36"	390
BC-80-AF	80"	32"	36"	460
BC-94-AF	94"	32"	36"	520



Savannah, TN 38372 [www.americanfoodserviceco.com](http://www.americanfoodserviceco.com)  
 731-925-2200 / 800-447-4693 / FAX 731-925-2840

Due to continued product improvement, specifications are subject to change without notice.

9/01/11 USA